

## Floating Outlet™ Dosing Device, Type 831

The Floating Outlet™ is designed for installation in a suitable chamber to provide a regulated flush of effluent. A dosing device will enhance distribution and aeration.

Typical applications include:

- Sand filters.
  - Vertical flow reed beds.
  - Tidal reed beds (fill and empty).
  - Leachfield (soakaway) dosing.
- Trickling filters (e.g. to replace autosiphons).

The standard *draw down* is c.a. 200mm. The dosing volume (litres) is calculated as chamber plan area (m<sup>2</sup>) x draw down (mm) so a chamber 1m x 1m will give a dose of 200 litres. For vertical flow reed beds we recommend a dose of 8 litres/m<sup>2</sup> of bed to be dosed (at any one time). Check with the system designer for recommended volumes.

The unit fits pipe from 3 1/4" – 3 1/2" OD (i.e. 3" soil to 3" US pressure pipe).

Optional extension available for increased draw-down up to 500mm maximum.

**£175 + £10 carriage + vat, complete with stainless steel hose clips.**

Manufactured in the USA.



Figure 2. Floating Outlet™ as supplied.



Figure 3. Three units joined and extended for increased draw-down and even dosing to three trenches of a large leachfield system.

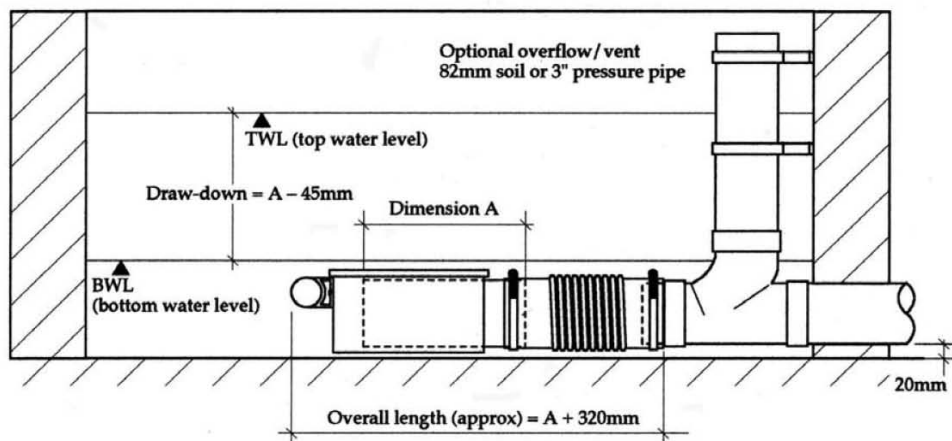


Figure 1. Chamber details.

**£175+ £12 carriage + VAT, complete with stainless steel hose clips.**

Solution Elements Ltd. Oaklands Park, Newnham, Gloucestershire, GL14 1EF, UK.

Tel: 01594 516344 (home office)

Email: flouts@solutionelements.co.uk

VAT No: 793 4494 83